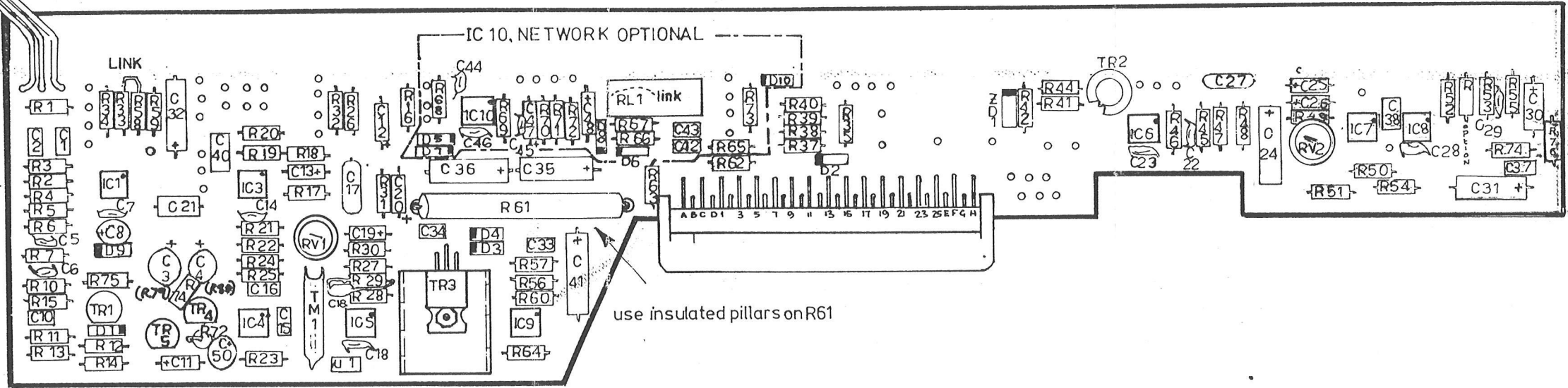
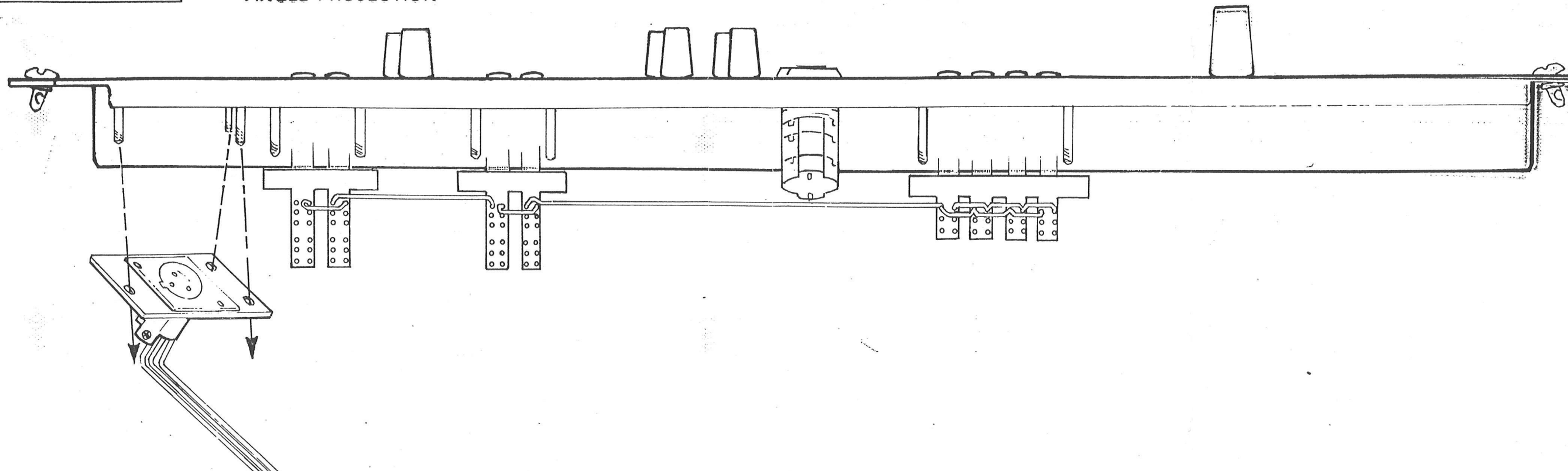


18/3/81
 2/4/81 JNM CHECKED
 5/12/81 GAIN INCREASE.
 ISSUE DATE MOD No. ISSUE DATE MOD No.

TOLERANCES UNLESS STATED UNIT : 0 0 : 0 00 : 0 000 : 0 DIMENSIONS IN	NOTES SCALE COPYRIGHT MIDAS 54-56 Stanhope Street, London NW1 3EX. Tel: 01-388-7060 TITLE PR 23C CCT. DRAWN BY JC DATE 15/3/79	DRAWING NUMBER 5



REV	DATE	MOD. No.	ISSUE	DATE	MOD. No.
1	1.12.80				
2	2.3.81	JMM OK6550			

MATERIAL	
FINISH	

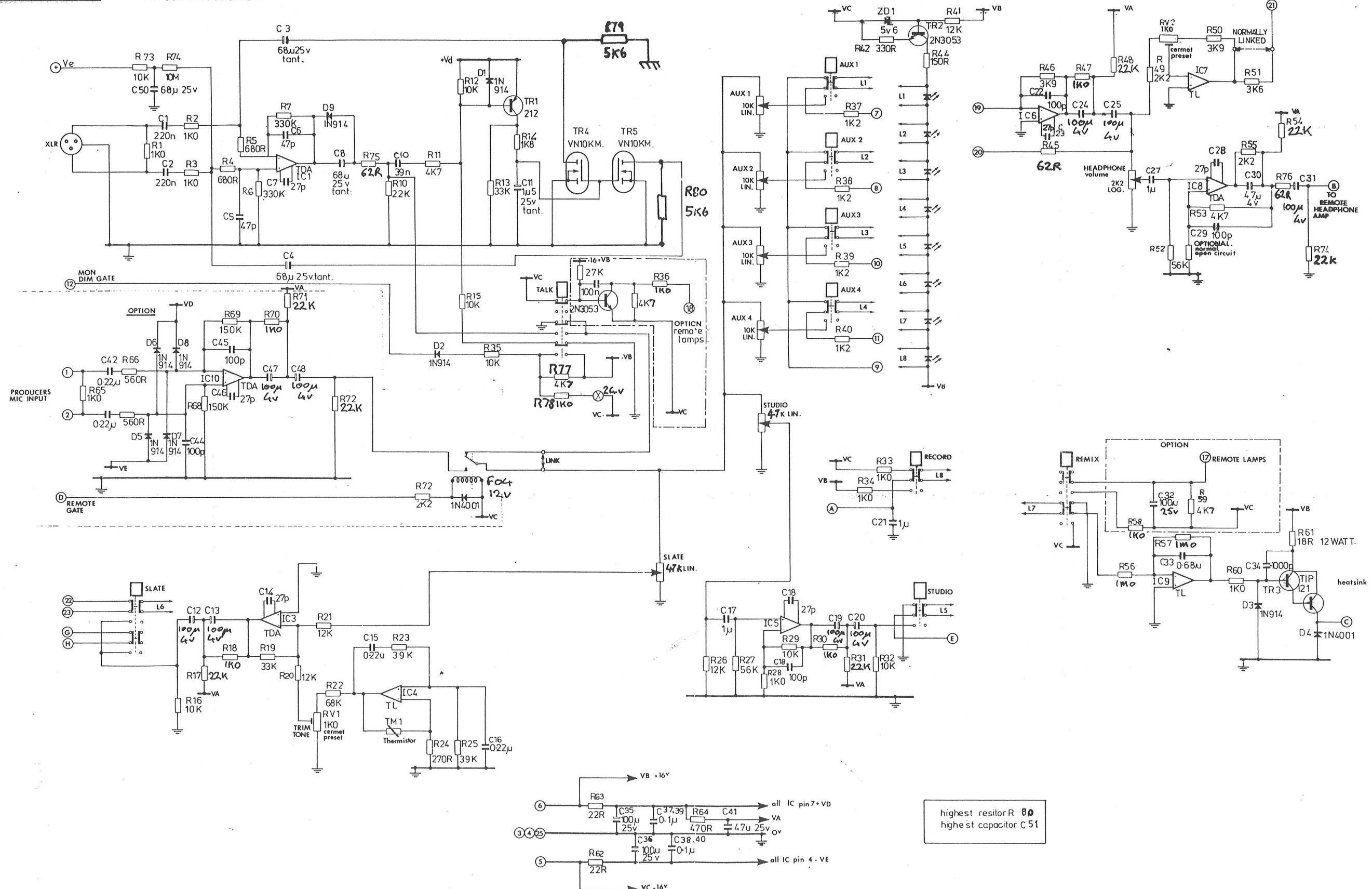
TOLERANCES - UNLESS STATED
UNIT ± 0.
.0 ± 0.
.00 ± 0.
.000 ± 0.
DIMENSIONS IN

NOTES

SCALE:
DRAWN BY: Robbie
DATE: 1.12.80

SCALE: c COPYRIGHT	MIDAS 54-56 Stanhope Street, London NW1 5EX. Tel: 01-388-7060
TITLE	OVERLAY & ASSEMBLY PR22C
DRAWING NUMBER	MA5512
ISS.	2

ANGLE PROJECTION



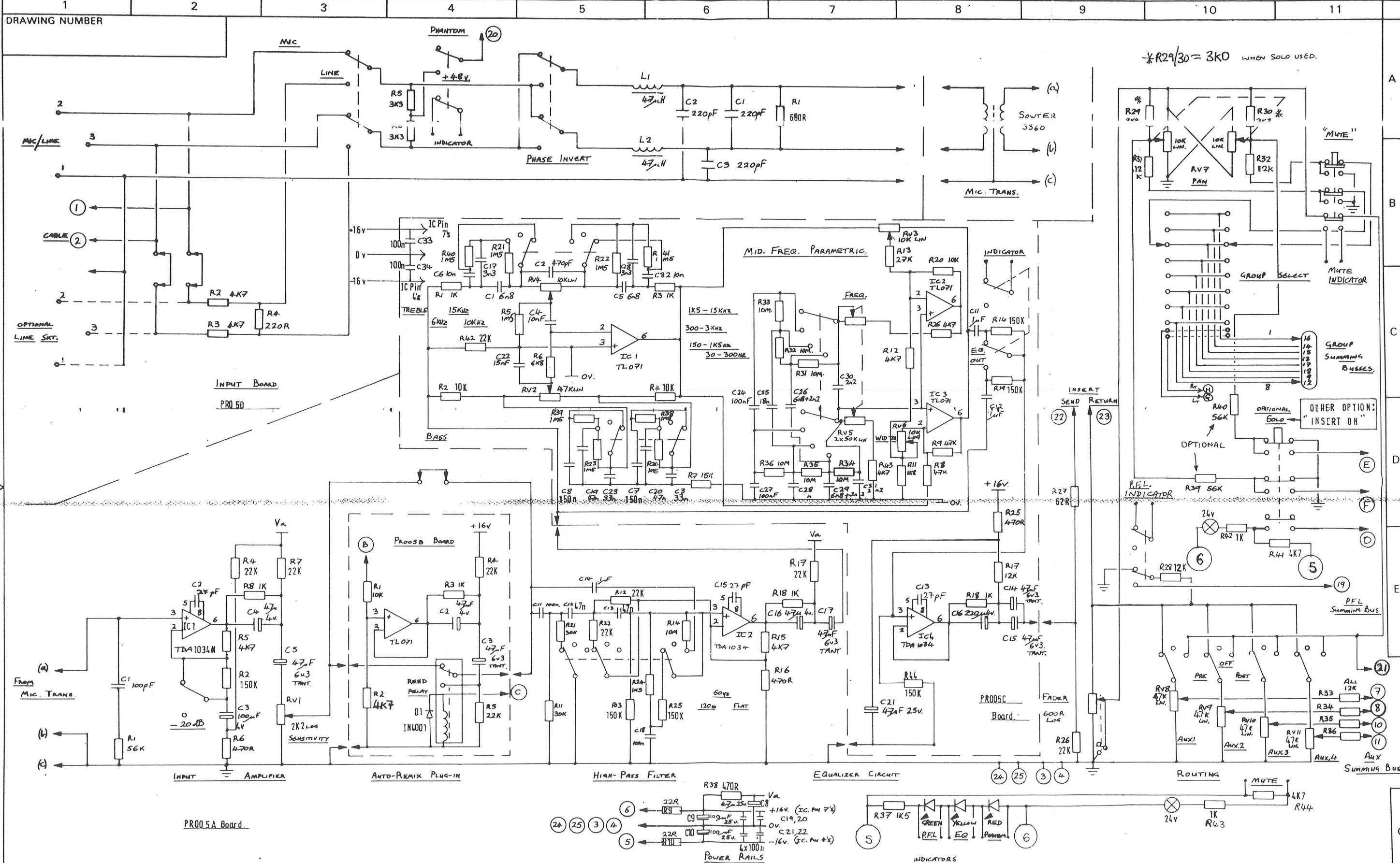
ISSUE	DATE	MOD. No.	ISSUE	DATE	MOD. No.
1	13.6.72				
2	13.6.72				
3	16.1.81	R-79C-51			
4	15.5.81	SPMOR/CK			
5	7.7.81				

MATERIAL	FINISH

TOLERANCES - UNLESS STATED
UNIT ± 0
° ± 0
∞ ± 0
∞00 ± 0

NOTES
highest resistor R 80
highest capacitor C 51

SCALE:	© COPYRIGHT	TITLE	DRAWING NUMBER
	MORS 58-58 Stanhope Street, London N1UJ 5DX, Tel: 01-388 7060	PR22 C. C.C.T COMMS MODULE	MAS 266



1	21/3/77				
2	21-3-80				
3	1-9-81	COMPONENT REVISION			
4	6 10 81	PAN RESISTORS			
ISSUE	DATE	MOD. No.	ISSUE	DATE	MOD. No.

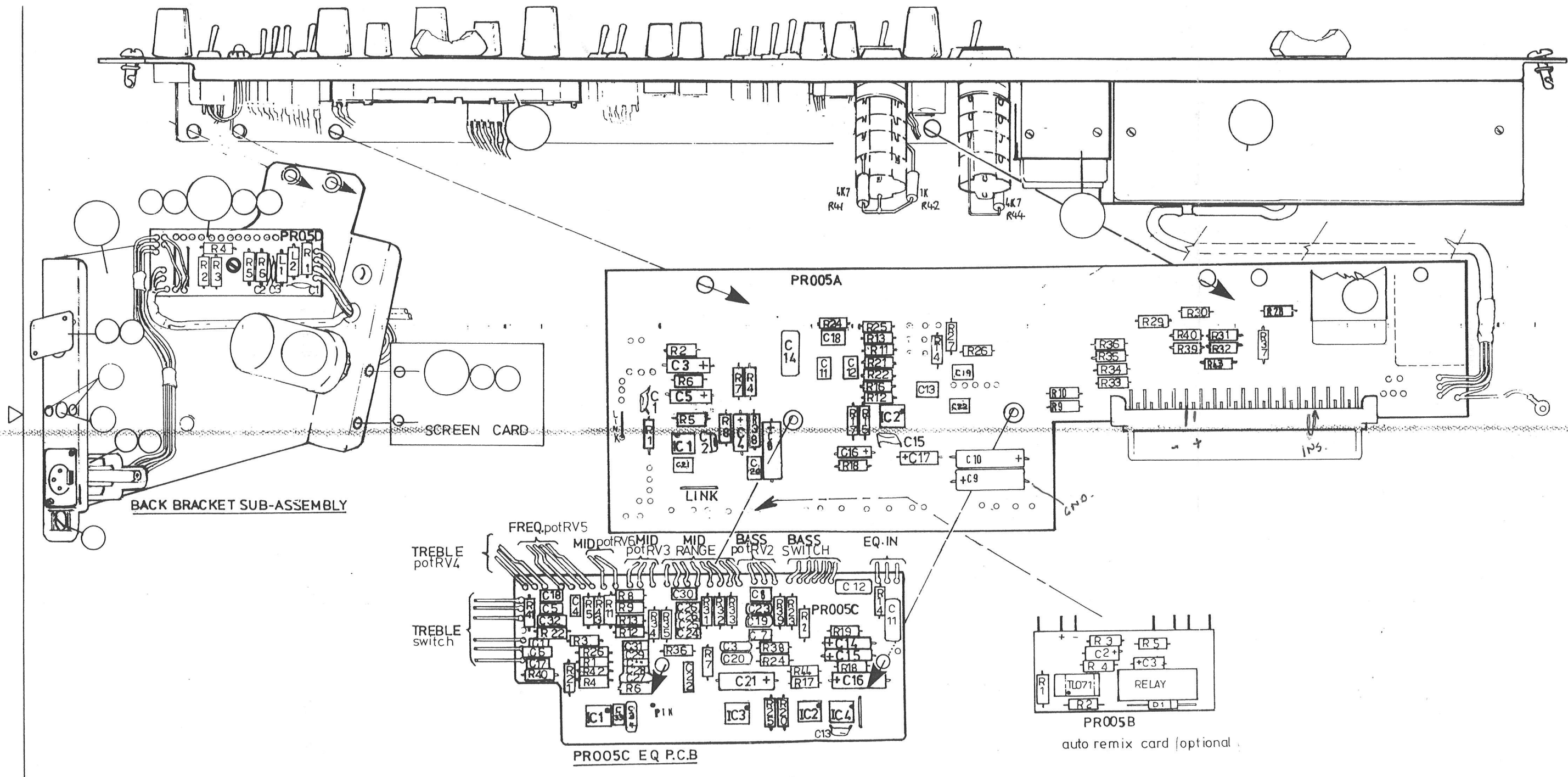
MATERIAL	
FINISH	
DIMENSIONS IN	

TOLERANCES - UNLESS STATED	UNIT ± 0.
	0 ± 0.
	00 ± 0.
	000 ± 0.
NOTES	
	NORMAL LINK.
	INTER-BOARD LINK.
	MAIN BOARD EDGE CONNECTOR PIN.
	FRONT PANEL/CHASSIS.

SCALE:	© COPYRIGHT	MIDAS	54-56 Stanhope Street, London NW1 3EX. Tel: 01-388-7060
TITLE	Input Module PRO5C		DRAWING NUMBER
ISS			4

DRAWING NUMBER
MAS 294

ANGLE PROJECTION



ISSUE	DATE	MOD. No.	ISSUE	DATE	MOD. No.
2	2/9/81	JNM CHECKED			

MATERIAL

FINISH

DIMENSIONS IN

TOLERANCES - UNLESS STATED

UNIT ± 0.
 .0 ± 0.
 .00 ± 0.
 .000 ± 0.

NOTES

use PR005c parts list's
with this drawing

SCALE: © COPYRIGHT **MIDAS** 54-56 Stanhope Street, London NW1 3EX. Tel: 01-388-7060

TITLE **assembly PR005c**

DRAWN BY **lobbie**

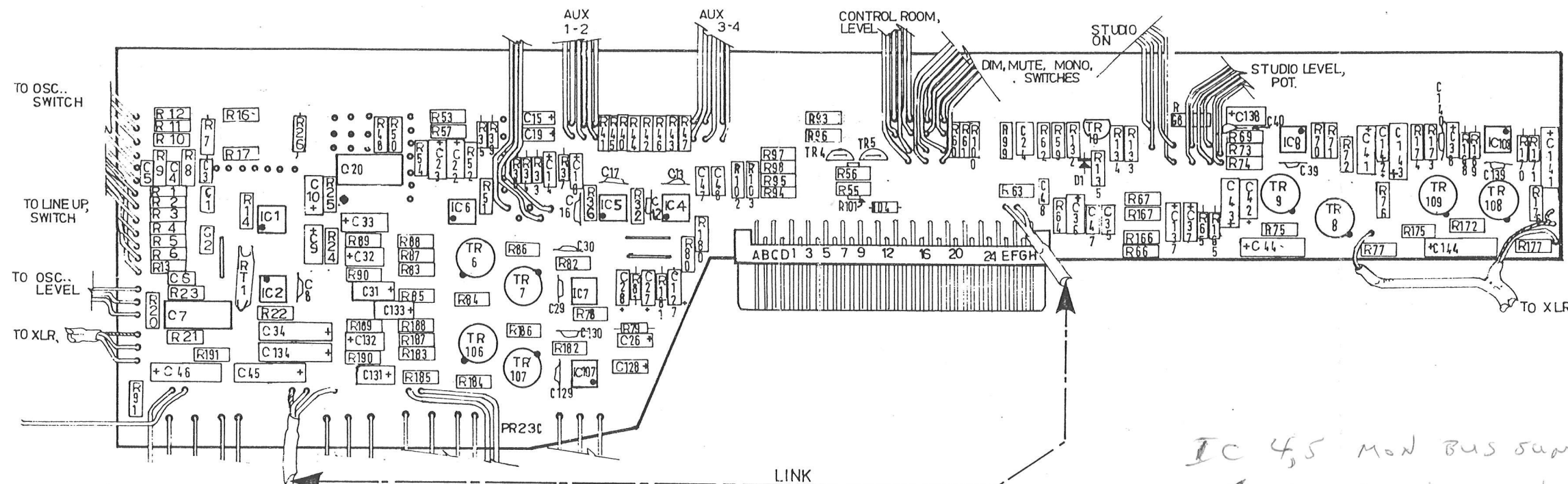
DATE **6/2/80**

DRAWING NUMBER **MAS 294**

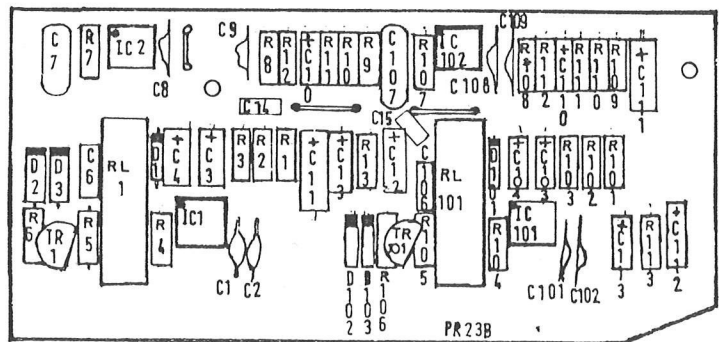
ISS. **2**

ANGLE PROJECTION

CONSOLE HAD A 3RD TRANSISTOR IN THIS LOCATION 2N3820
 - WAS PHYSICALLY DAMAGED; REMOVED SEPT. 20/02



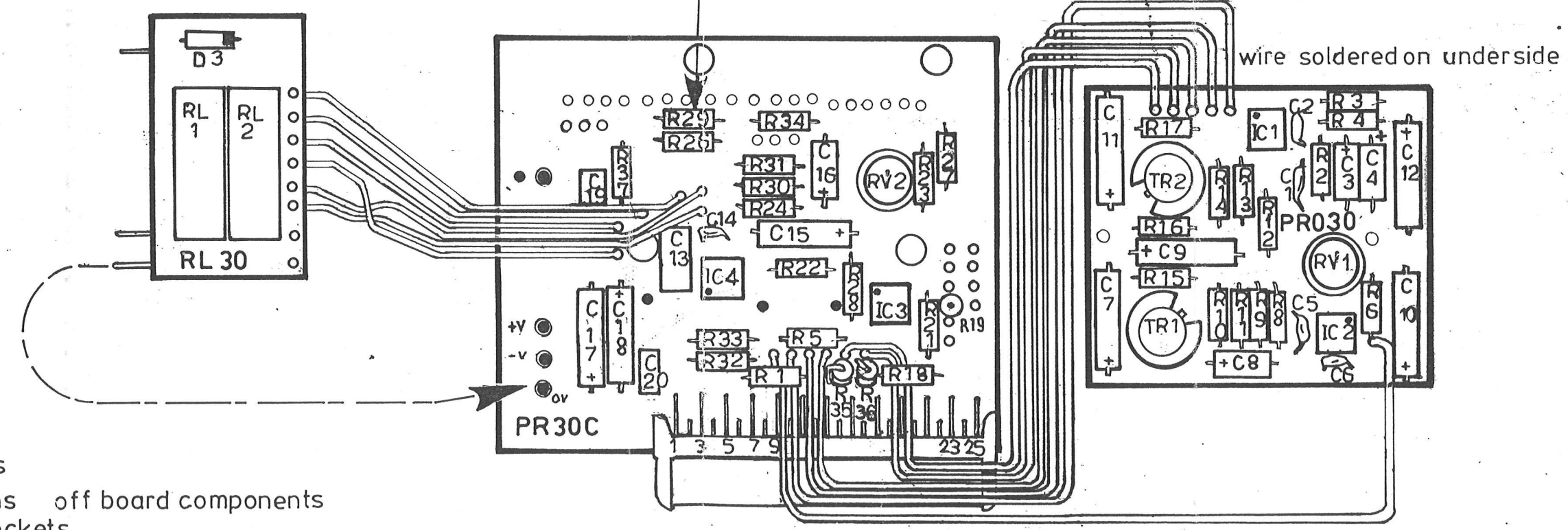
IC 4, 5 MON BUS SUMMING AMPS
 ↗ these have been replaced.



1 2/9/8	MATERIAL	TOLERANCES UNLESS STATED UNIT : 0. 0 : 0 .00 : 0 .000 : 0	NOTES	SCALE	COPYRIGHT MIDAS 54-56 Stanhope Street, London NW1 3EX. Tel: 01-388-7060	
	FINISH				TITLE ASSEMBLY PR23C	
DATE MOD No ISSUE DATE MOD No	DIMENSIONS IN		DRAWN BY RSL DATE		DRAWING NUMBER	ISS 1

DRAWING NUMBER
MAS 516

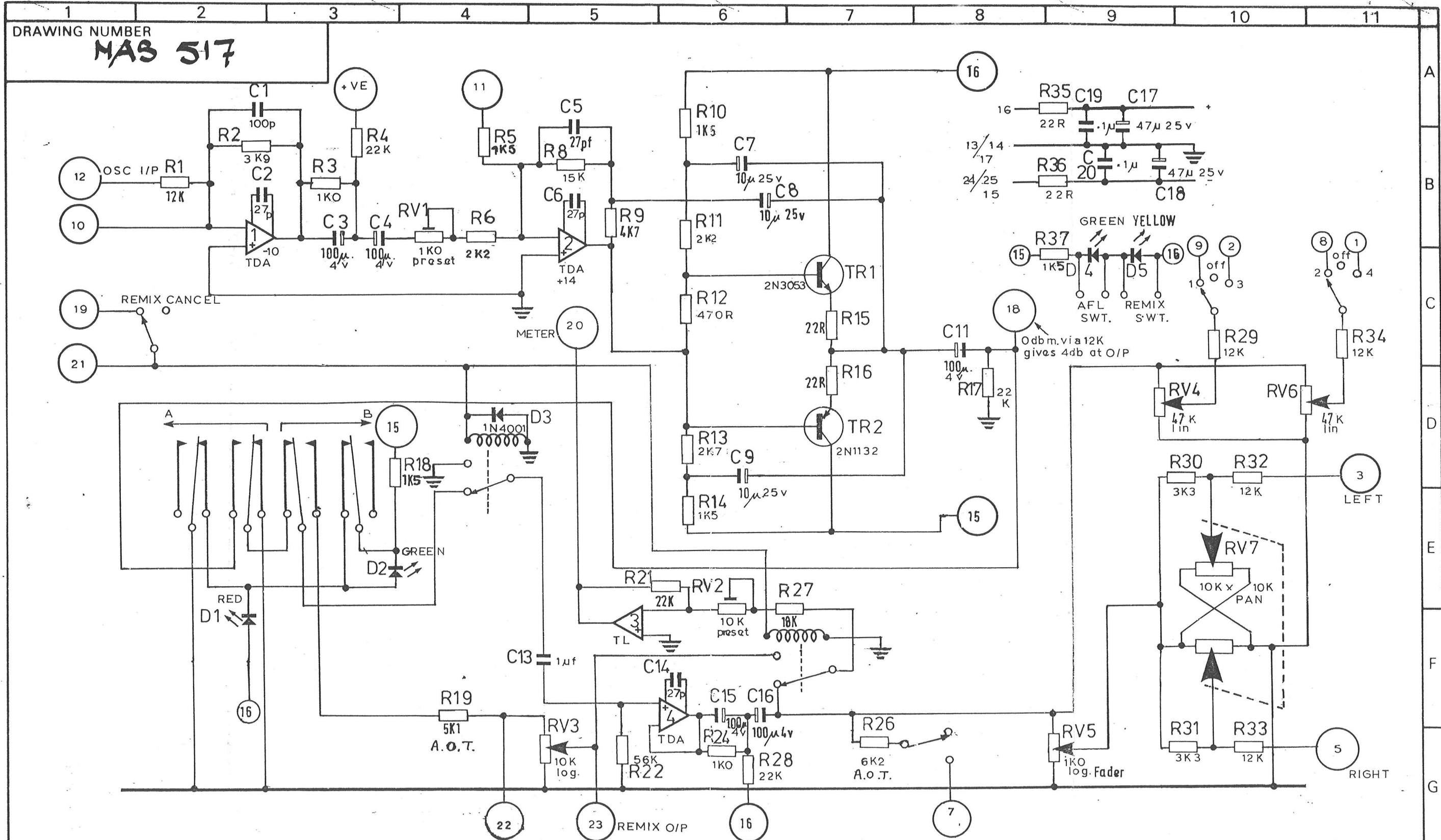
ANGLE PROJECTION



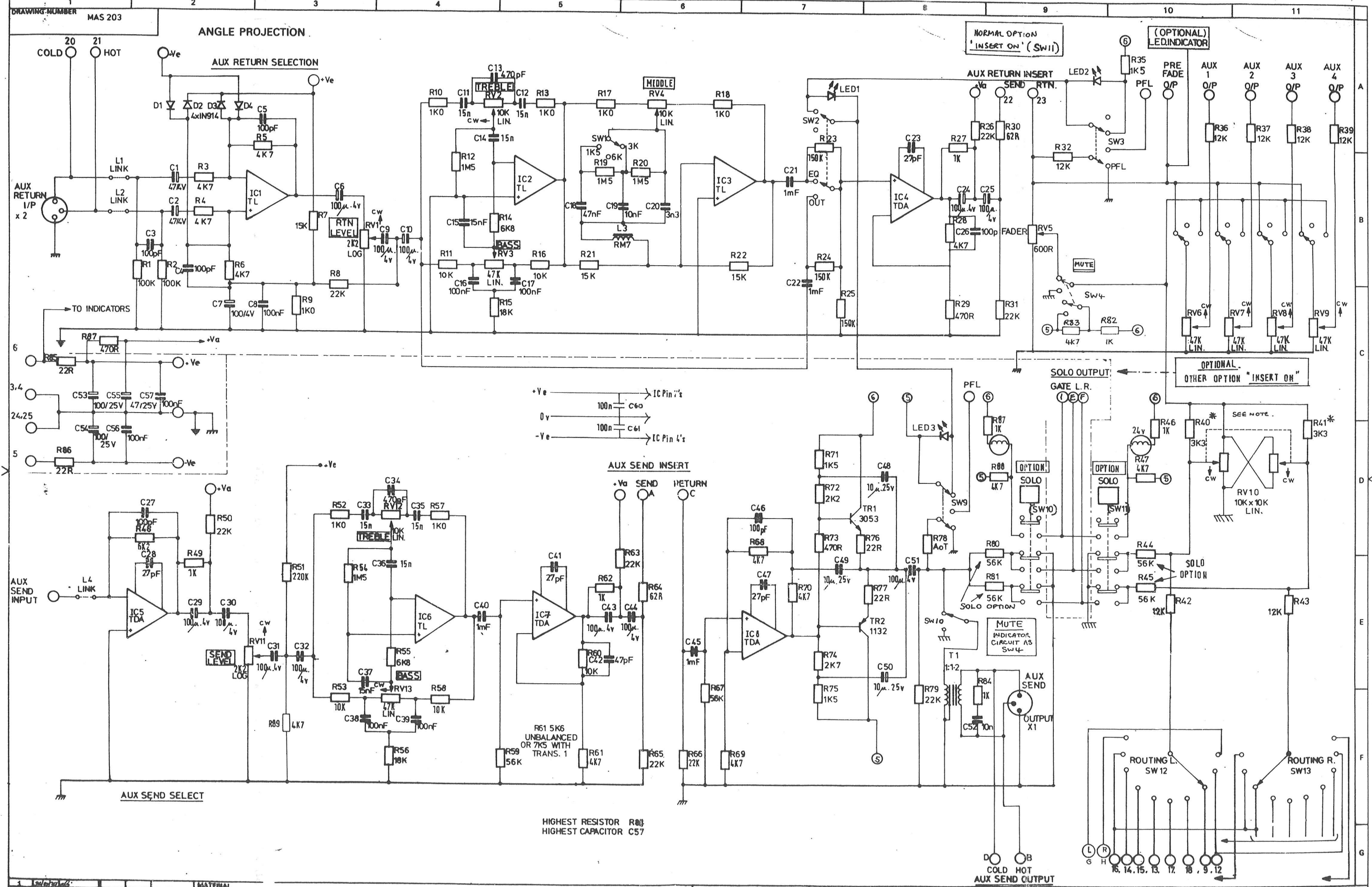
NOTE

- = through pins
- = connections off board components
- ⊙ = Cambion sockets

1	<i>16/2/80 Robbie</i>	MATERIAL	TOLERANCES - UNLESS STATED	NOTES	SCALE:	© COPYRIGHT MIDAS 54-56 Stanhope Street, London NW1 3EX. Tel: 01-388-7060
2	7/12/81 JNM CHECK		UNIT ± 0. 0 ± 0. .00 ± 0. .000 ± 0.			TITLE OVERLAY AND ASSEMBLY PR30C
		FINISH	DIMENSIONS IN		DRAWN BY <i>Robbie</i>	DRAWING NUMBER MAS 516
ISSUE	DATE	MOD. No.			DATE 12/80	ISS. 2



one 11290	MATERIAL	TOLERANCES - UNLESS STATED UNIT ± 0 .0 ± 0 .00 ± 0 .000 ± 0	NOTES	SCALE	COPYRIGHT MIDAS 54-56 Stanhope Street, London NW1 3EX. Tel: 01-388-7060	TITLE PR30C	DRAWING NUMBER MAS517	ISS. 3
26,181	FINISH							
3 712 81	JNM CHECK							
ISSUE	DATE	MOD. No.						



HIGHEST RESISTOR R80
HIGHEST CAPACITOR C57

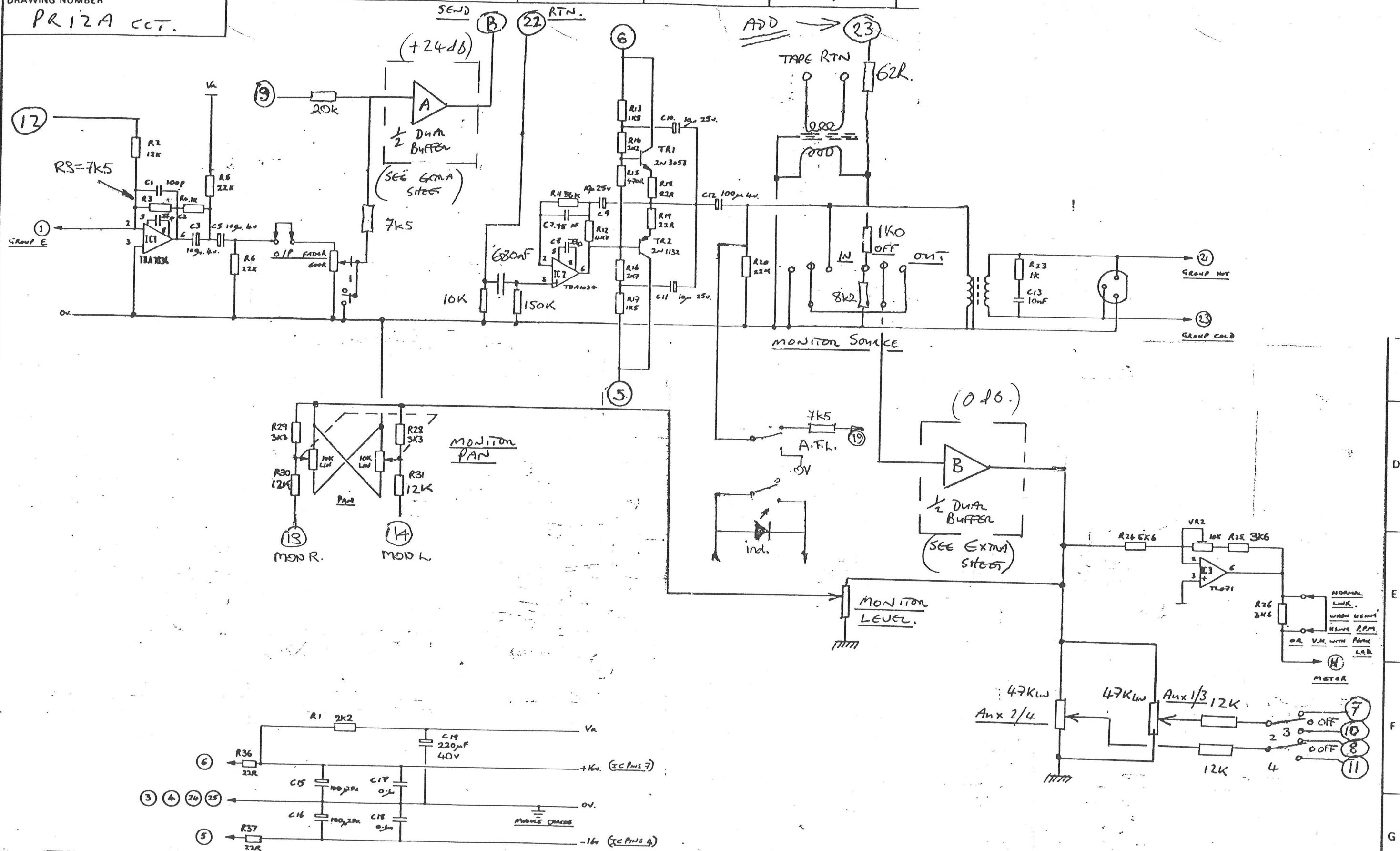
1	10/10/73				
2	11/10/73				
3	12/10/73				
ISSUE	DATE	MOD. No.	ISSUE	DATE	MOD. No.

MATERIAL	
FINISH	

TOLERANCES - UNLESS STATED	
UNT	+0
0	±0
00	±0
000	±0
DIMENSIONS IN	

NOTES	
* R40/R41 = 3K0 WHEN 'SOLO' USED.	

SCALE:	© COPYRIGHT
TITLE	PR 28C AUX MODULE
DRAWN	
DATE	
DRAWING NUMBER	MAS 203
ISS.	3



ISSUE DATE		MOD No		ISSUE DATE		MOD No	
MATERIAL				TOLERANCES - UNLESS STATED			
FINISH				UNIT : 0			
				0 : 0			
				00 : 0			
				000 : 0			
DIMENSIONS IN				NOTES			
				SCALE			
				COPYRIGHT			
				MIDAS 54-56 Stanhope Street, London NW1 3EX Tel: 01-588-7060			
				TITLE			
				OUTPUT MODULE PR12A.			
				DRAWN BY			
				DATE			
				DRAWING NUMBER			
				ISS			
				Shts 1 of 2.			
				TENTATIVE			